

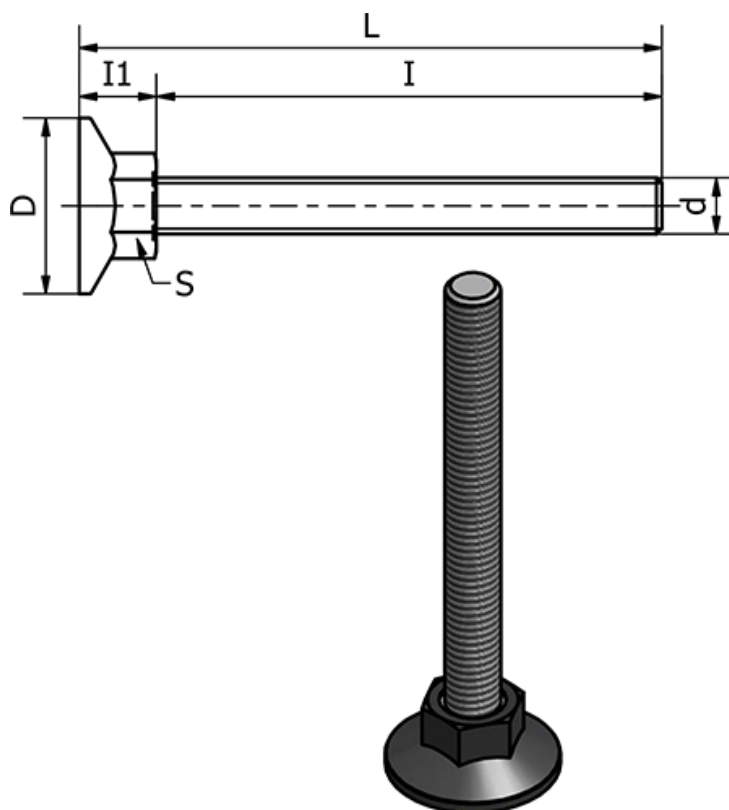
# Data Sheet



Article number: 2310431071

Description: E+G Levelling elements  
LX.30-SW17-M10X31

## Measures



d = M10

D = 30

I = 31

I1 = 12

L = 43

S = 17

Static load in (N) = 3000

Type = Forzinket

Weight (g) = -